



HICEM • 浙江鸿川动力

HONGCHUAN POWER TECHNOLOGY CO.,LTD



Oxygen Compressor



About Us

Zhejiang Hongchuan Power Technology Co.,Ltd was first established in 2010,which is a large-scale enterprise group,specializing in R&D and manufacturing various kinds of air compressors and vacuum pumps .We have 20+ engineers with more than 10 years experience ,from the structural design, appearance design and mold development all can be done by our own R&D team.

Our products mainly serve industries such as medical equipment,dental equipment,robotic arms,automation equipment,beauty equipment,packaging equipment,new energy vehicles and pond aeration systems etc .

Dedicated to strict quality control and thoughtful customer service,our experienced engineers are always available to discuss your requirements and ensure full customer satisfaction.

Our main markets include the USA,Mexico,Germany, Japan ,UK,Italy,Spain,Australia,Russia,Indonesia and South Korea etc. We welcome the OEM and ODM orders.

Whether selecting a current product from our catalog or seeking engineering assistance for your application,you can talk to our customer service center about your sourcing requirements.

Adhering to the business principle of mutual benefits,we have had a reliable reputation among our customers because of our professional services,quality products and competitive prices , looking forward to your collaboration .



**Air Compressor Solutions Backed
by 20 Years of Global Success.**

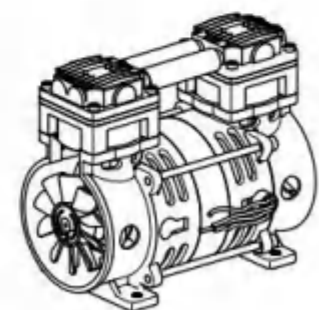
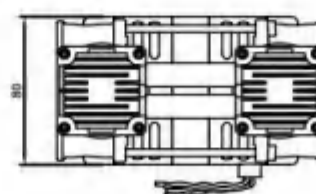
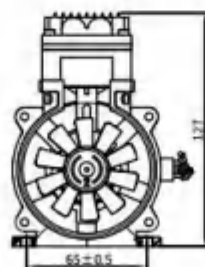
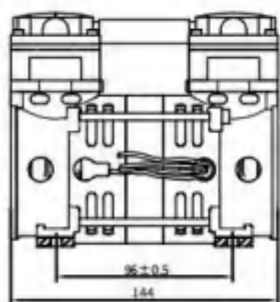
Trusted by 8,000+ Clients Worldwide.

Oxygen concentrator compressor



Technical Specification

Model Number	HC80A-17/1.4	HC80B-17/1.4
Head configuration	Pressure parallel fow	Pressure parallel fow
Voltage	220V/50Hz/1	110V/60Hz/1
Noise	≤45dB(A)	≤48dB(A)
Power at rated pressure	≤110 W	≤90 W
Air flow rate	17L/min@140Kpa	21L/min@140Kpa
Speed at rated pressure	1400rpm	1700rpm
Dimension	144*80*127 mm	144*80*127 mm
Installation size	95*65mm	95*65mm
Net weight	2.05kg	2.05kg
Operating ambient air temperature	-5 to 40°C	-5 to 40°C
Thermal protection	145±5°C	145±5°C
Motor insulation class	F	F
Capacitor value	3.5μF	8μF

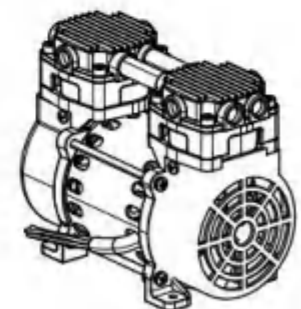
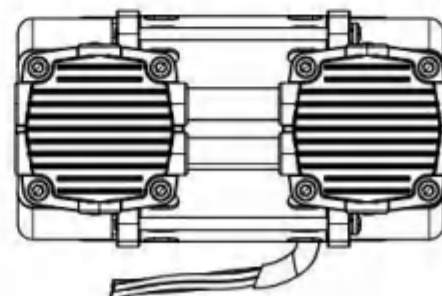
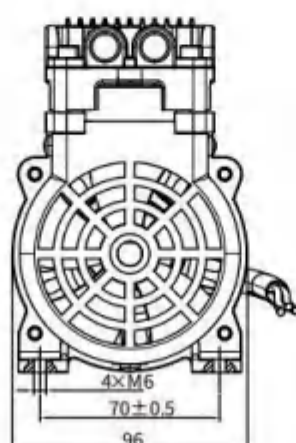
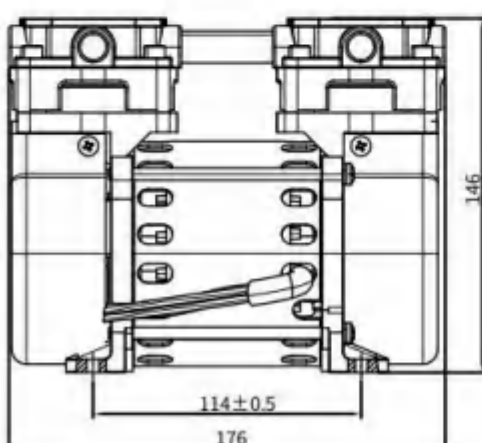


Oxygen concentrator compressor

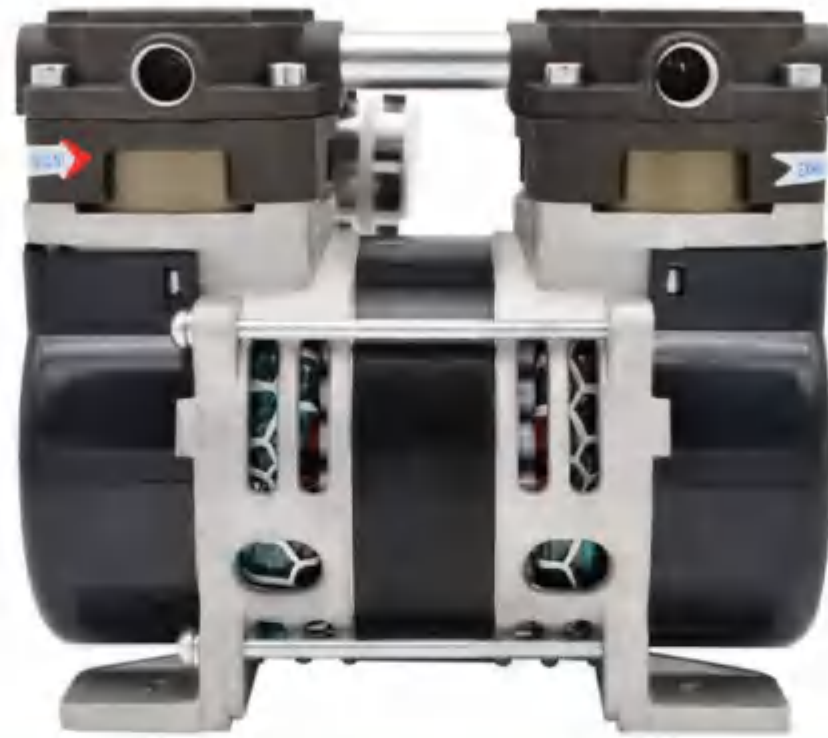


Technical Specification

Model Number	HC100A-30/2	HC100B-38/2
Head Configuration	Pressure parallel flow	Pressure parallel flow
Voltage	220V/50Hz/1	110V/60Hz/1
Noise	≤52dB(A)	≤55dB(A)
Power at rated pressure	≤180W	≤220W
Air flow rate at rated pressure	≥30L/min@200kPa	≥38L/min@200kPa
Speed at rated pressure	1400 rpm	1700 rpm
Dimension	176*96*146 mm	176*96*146 mm
Installation size	114*70mm	114*70mm
Net Weight	3.4 kg	3.4 kg
Operating ambient temperature	-5 to 40°C	-5 to 40°C
Thermal protection	145±5°C	145±5°C
Motor insulation class	F	F
Capacitor value	6μF	15μF

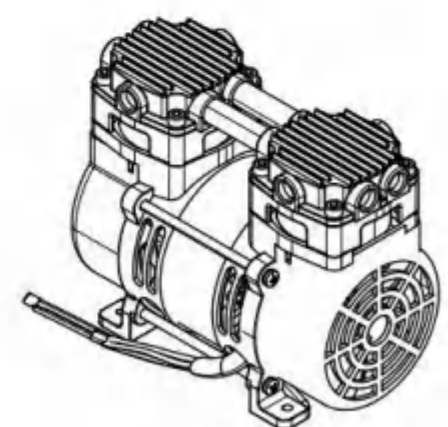
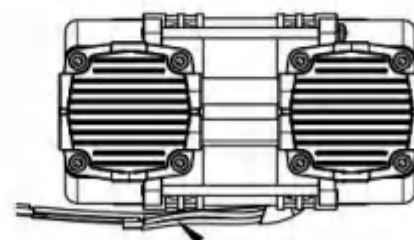
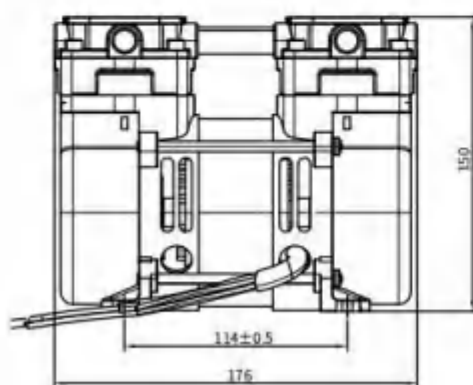


Oxygen concentrator compressor

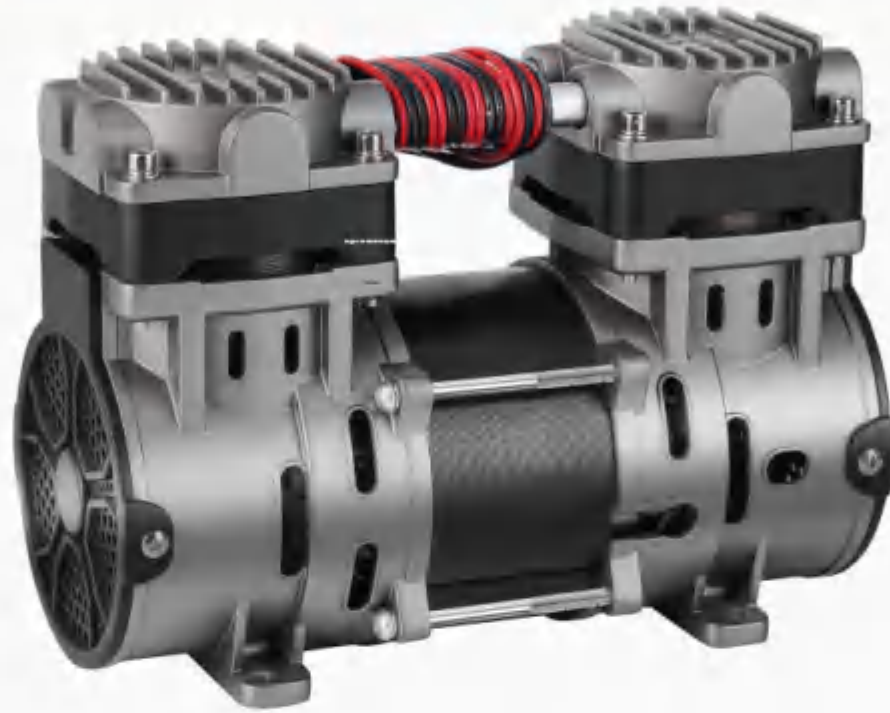


Technical Specification

Model Number	HC210A-50/1.4	HC210B-50/1.4
Head Configuration	Pressure parallel flow	Pressure parallel flow
Voltage	220V/50Hz/1	110V/60Hz/1
Noise	≤52dB(A)	≤52dB(A)
Power at rated pressure	≤230W	≤230W
Air flow rate at rated pressure	≥50L/min @ 140Kpa	≥50L/min @ 140Kpa
Speed at rated pressure	1400 rpm	1700 rpm
Dimension	198*96*146 mm	198*96*146 mm
Installation size	136*70mm	136*70mm
Net Weight	4.3 kg	4.3 kg
Operating ambient temperature	-5 to 40°C	-5 to 40°C
Thermal protection	145±5°C	145±5°C
Motor insulation class	F	F
Capacitor value	8μF	15μF

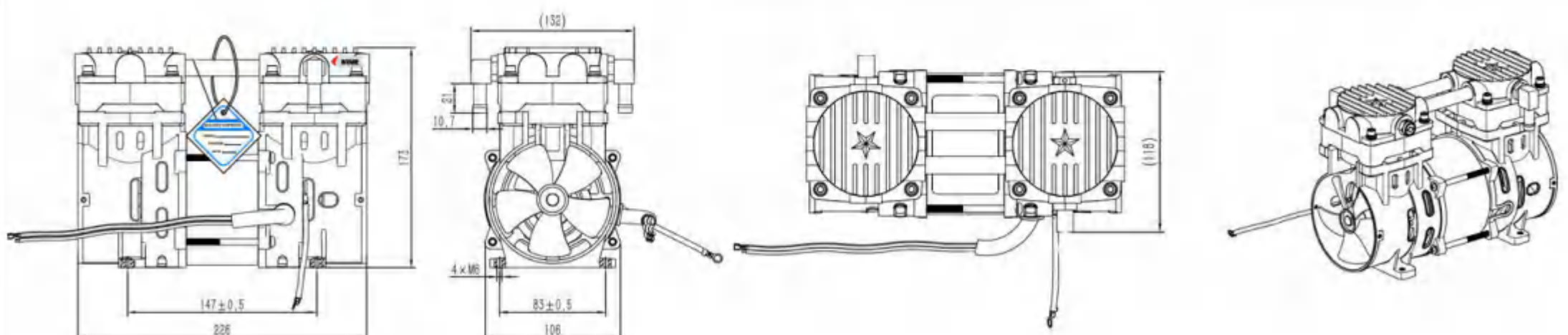


Oxygen concentrator compressor



Technical Specification

	HC280A-70/2	HC280B-70/2
Head Configuration	Pressure parallel flow	Pressure parallel flow
Voltage	220V/50Hz/1	110V/60Hz/1
Noise	≤52dB(A)	≤52dB(A)
Power at rated pressure	≤350W	≤350W
Air flow rate at rated pressure	≥70L/min @ 200Kpa	≥70L/min @ 200Kpa
Speed at rated pressure	1400 rpm	1700 rpm
Dimension	226x106x173 mm	226x106x173 mm
Installation size	147*83mm	147*83mm
Net Weight	6.8kg	6.8kg
Operating ambient temperature	-5 to 40°C	-5 to 40°C
Thermal protection	145±5°C	145±5°C
Motor insulation class	F	F
Capacitor value	10μF	25μF

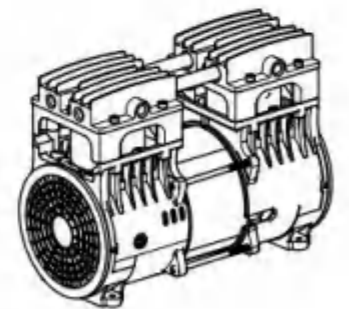
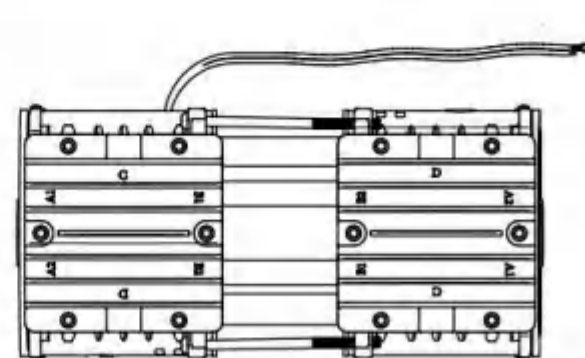
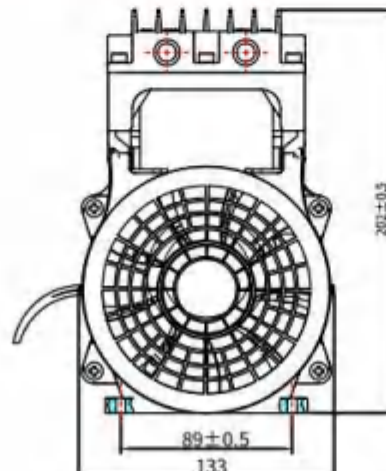
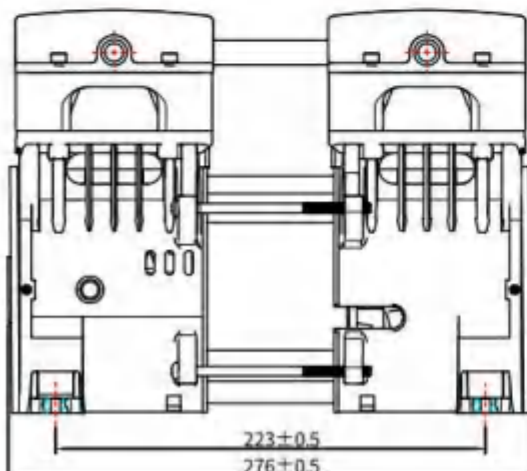


Oxygen concentrator compressor



Technical Specification

Model Number	HC580A-120/2	HC580B-120/2
Head Configuration	Pressure parallel flow	Pressure parallel flow
Voltage	220V/50Hz/1	110V/60Hz/1
Noise	≤62dB(A)	≤62dB(A)
Power at rated pressure	≤580W	≤580W
Air flow rate at rated pressure	≥120L/min @ 200Kpa	≥120L/min@200Kpa
Speed at rated pressure	1400 rpm	1700 rpm
Dimension	276*133*202 mm	276*133*202 mm
Installation size	233*89mm	233*89mm
Net Weight	10.8 kg	10.8 kg
Operating ambient temperature	-5 to 40°C	-5 to 40°C
Thermal protection	145±5°C	145±5°C
Motor insulation class	F	F
Capacitor value	20μF	60μF

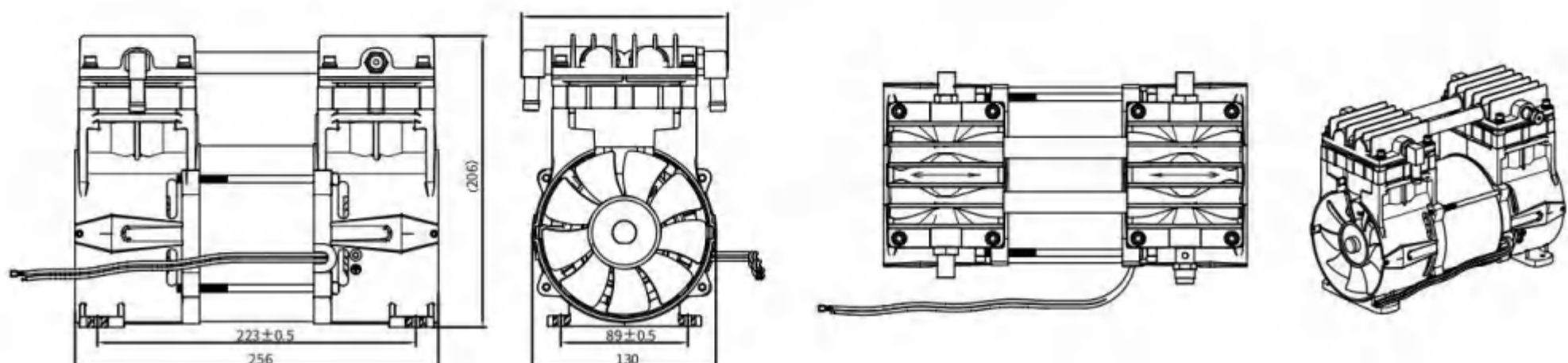


Oxygen concentrator compressor



Technical Specification

Model Number	HC680A-130/2	HC680B-130/2
Head Configuration	Pressure parallel flow	Pressure parallel flow
Voltage	220V/50Hz/1	110V/60Hz/1
Noise	≤63dB(A)	≤63dB(A)
Power at rated pressure	≤600W	≤600W
Air flow rate at rated pressure	≥130L/min@ 200Kpa	≥130L/min@ 200Kpa
Speed at rated pressure	1400 rpm	1700 rpm
Dimension	275*130*206 mm	275*130*206 mm
Installation size	223*89mm	223*89mm
Net Weight	9.6 kg	9.6 kg
Operating ambient temperature	-5 to 40°C	-5 to 40°C
Thermal protection	145±5°C	145±5°C
Motor insulation class	F	F
Capacitor value	15μF	60μF

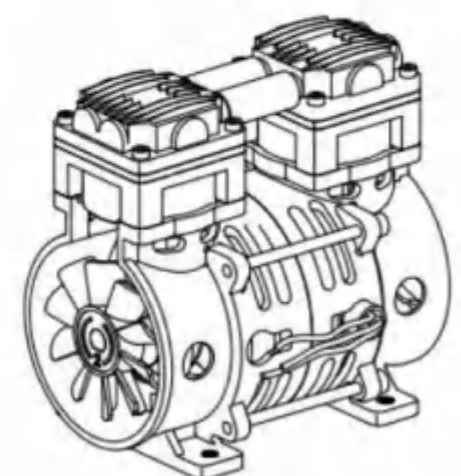
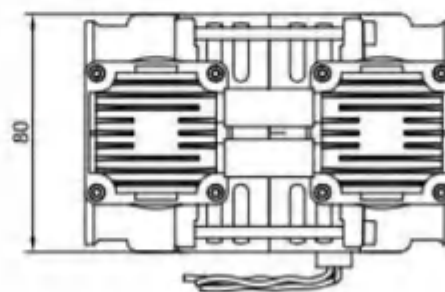
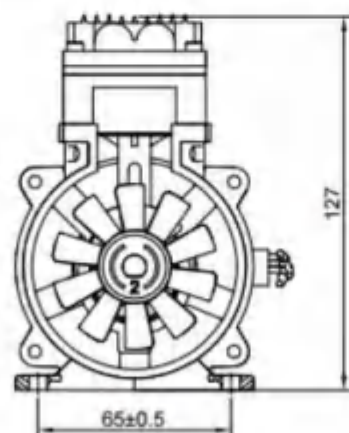
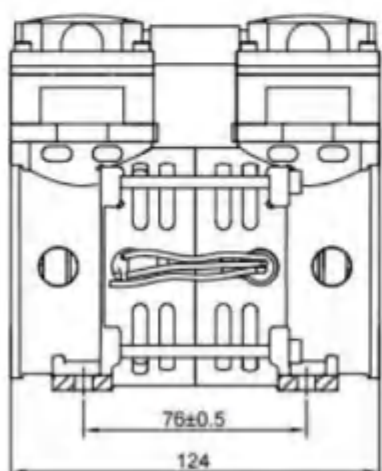


Oxygen concentrator compressor



Technical Specification

Model Number	HC80C-17/1.4	HC80D-17/1.4	HC80E-17/1.4
Head Configuration	Pressure parallel flow	Pressure parallel flow	Pressure parallel flow
Voltage	12V	24V	48V
Noise	≤48dB(A)	≤48dB(A)	≤48dB(A)
Power at rated pressure	≤90W	≤90W	≤90W
Air flow rate at rated pressure	≥17L/min@140Kpa	≥17L/min@140Kpa	≥17L/min@140Kpa
Speed at rated pressure	1700rpm	1700rpm	1700rpm
Dimension	124*80*127 mm	124*80*127 mm	124*80*127 mm
Installation size	75*65mm	75*65mm	75*65mm
Net weight	1.5 kg	1.5 kg	1.5 kg

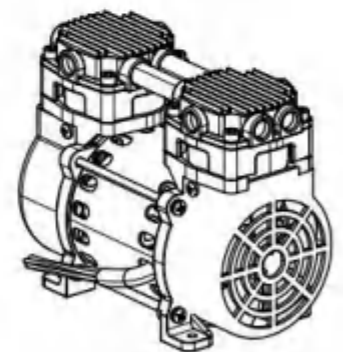
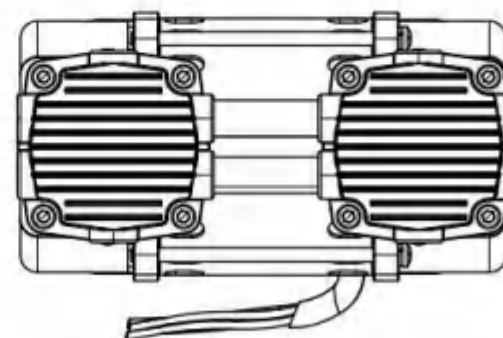
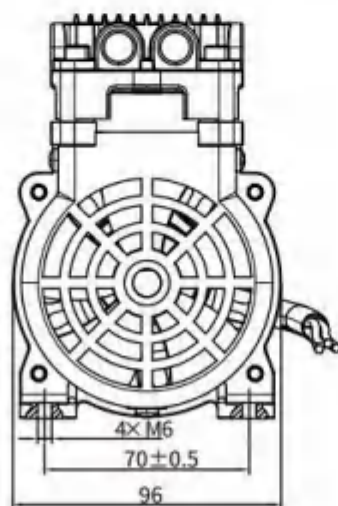
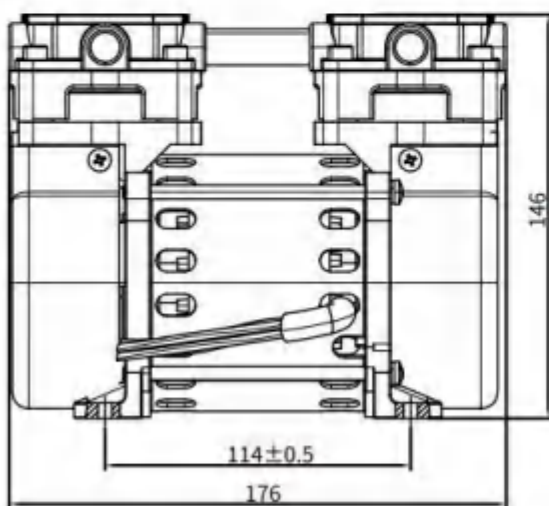


Oxygen concentrator compressor

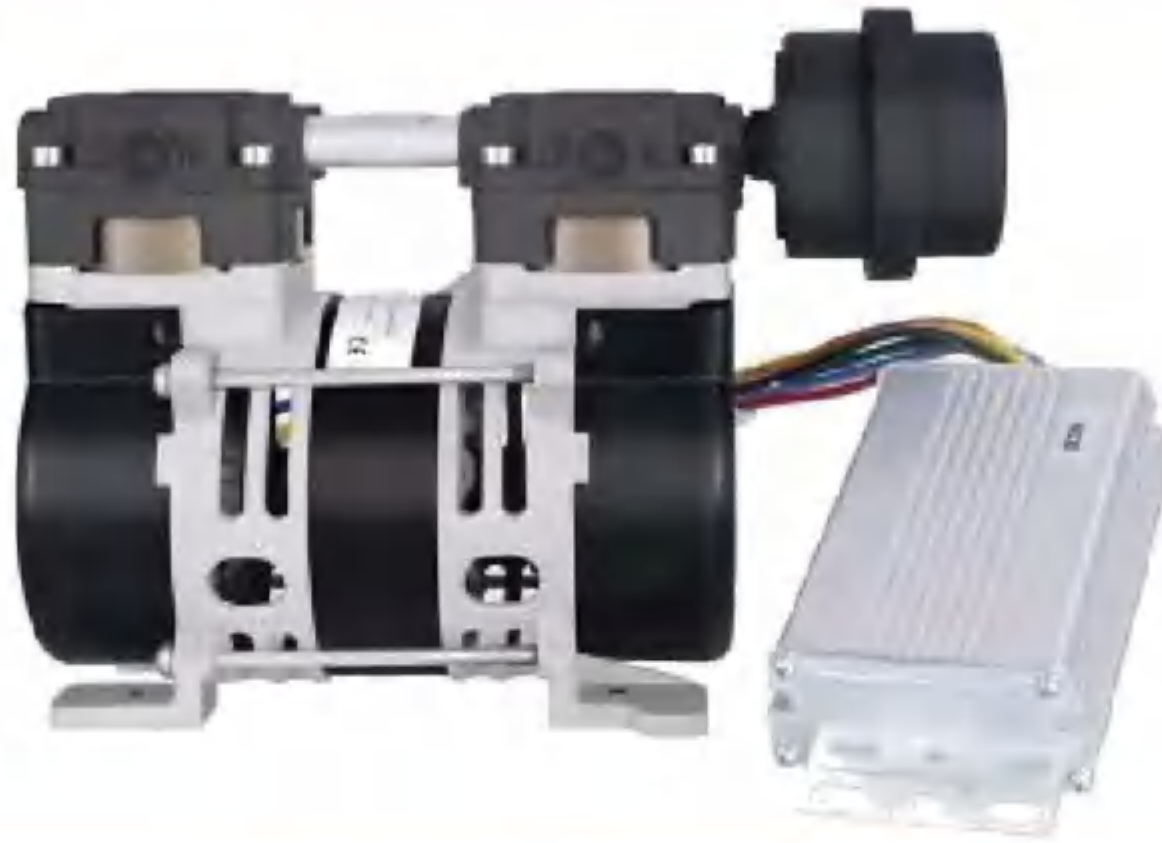


Technical Specification

Model Number	HC100C-30/2	HC100D-30/2	HC100E-30/2
Head Configuration	Pressure parallel flow	Pressure parallel flow	Pressure parallel flow
Voltage	12V	24V	48V
Noise	≤61dB(A)	≤61dB(A)	≤61dB(A)
Power at rated pressure	≤150W	≤150W	≤150W
Air flow rate at rated pressure	≥36L/min@200Kpa	≥36L/min@200Kpa	≥36L/min@200Kpa
Speed at rated pressure	1700rpm	1700rpm	1700rpm
Dimension	176*96*146 mm	176*96*146 mm	176*96*146 mm
Installation size	114*70mm	114*70mm	114*70mm
Net weight	2.45 kg	2.45 kg	2.45 kg

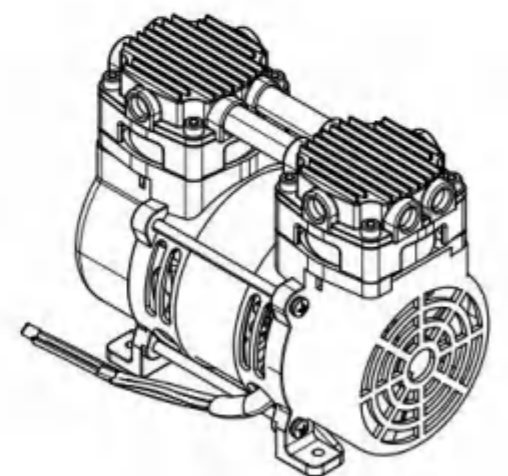
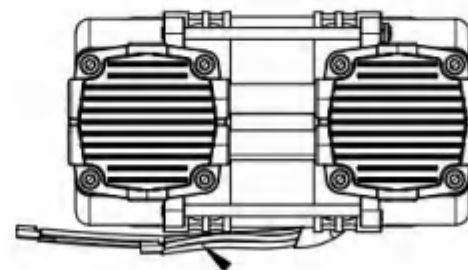
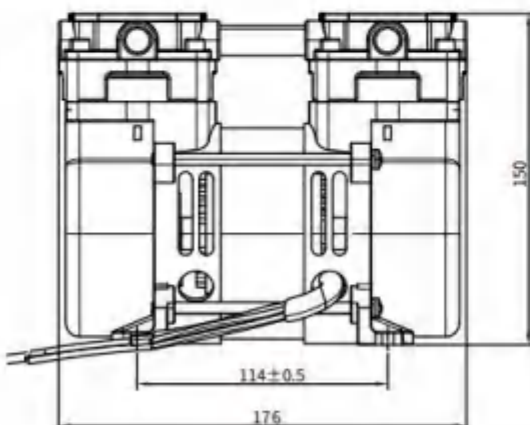


Oxygen concentrator compressor



Technical Specification

Model Number	HC210C-50/1.4	HC210D-50/1.4	HC210E-50/1.4
Head Configuration	Pressure parallel flow	Pressure parallel flow	Pressure parallel flow
Voltage	12V	24V	48V
Noise	≤62dB(A)	≤62dB(A)	≤62dB(A)
Power at rated pressure	230W	230W	230W
Air flow rate at rated pressure	≥50L/min @ 140 Kpa	≥50L/min @ 140 Kpa	≥50L/min @ 140 Kpa
Speed at rated pressure	1700rpm	1700rpm	1700rpm
Dimension	177*98*150 mm	177*98*150 mm	177*98*150 mm
Installation size	114*70mm	114*70mm	114*70mm
Net weight	3.1 kg	3.1 kg	3.1 kg

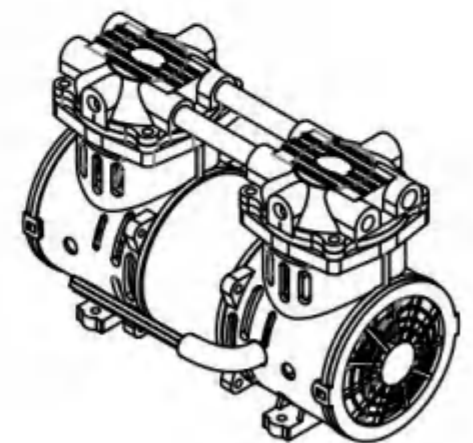
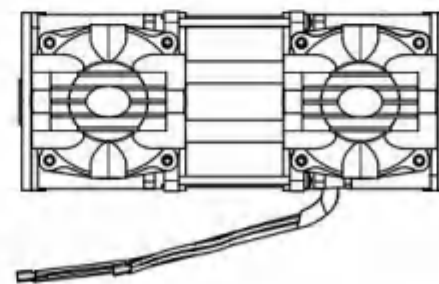
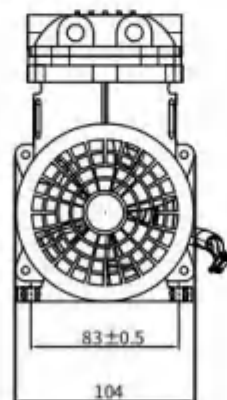
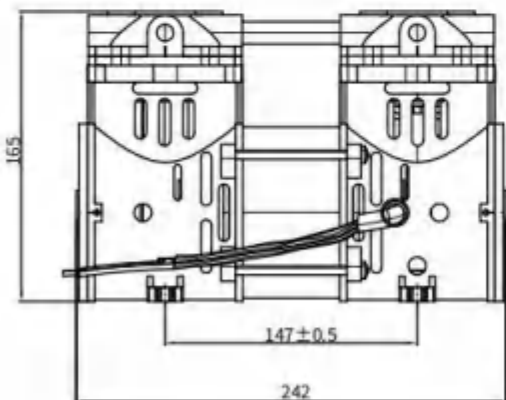


Oxygen concentrator compressor

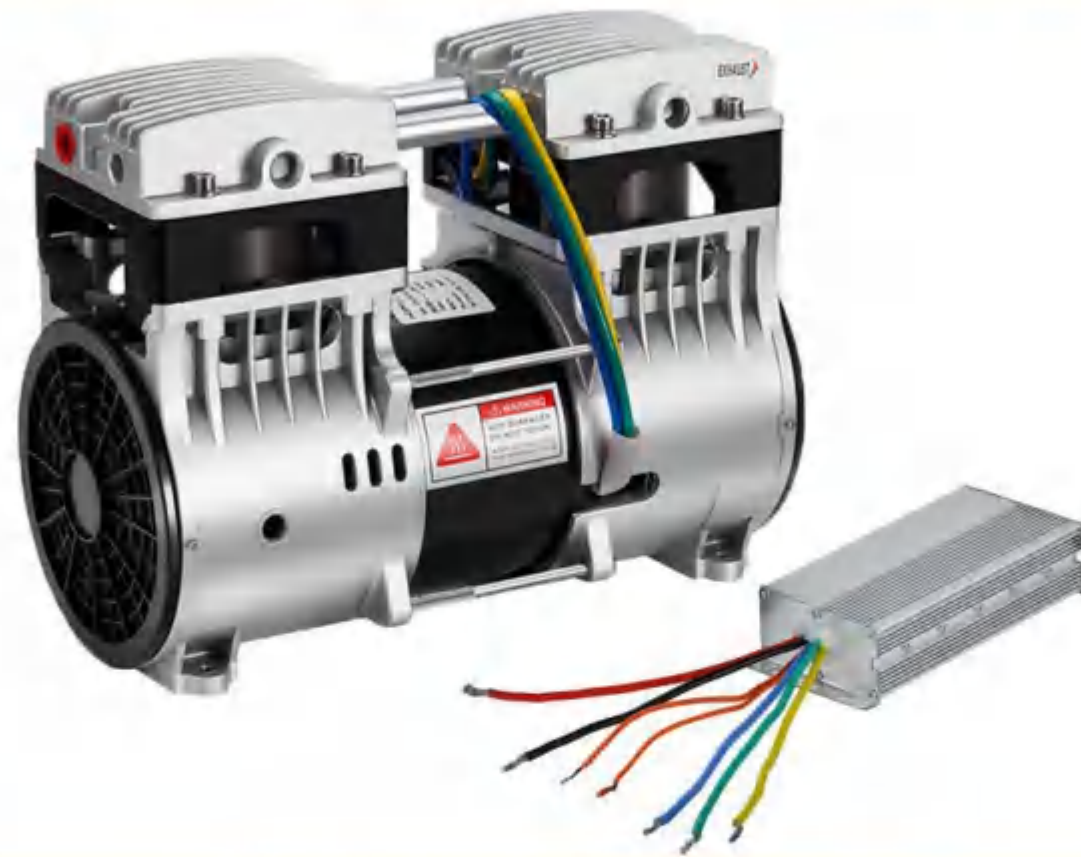


Technical Specification

Model Number	HC280C-75/2	HC280D-75/2	HC280E-75/2
Head Configuration	Pressure parallel flow	Pressure parallel flow	Pressure parallel flow
Voltage	12V	24V	48V
Noise	≤62dB(A)	≤62dB(A)	≤62dB(A)
Power at rated pressure	≤360W	≤360W	≤360W
Air flow rate at rated pressure	≥75L/min @ 200Kpa	≥75L/min @ 200Kpa	≥75L/min @ 200Kpa
Speed at rated pressure	1700rpm	1700rpm	1700rpm
Dimension	242*104*165 mm	242*104*165 mm	242*104*165 mm
Installation size	147*83mm	147*83mm	147*83mm
Net weight	6.0 kg	6.0 kg	6.0 kg

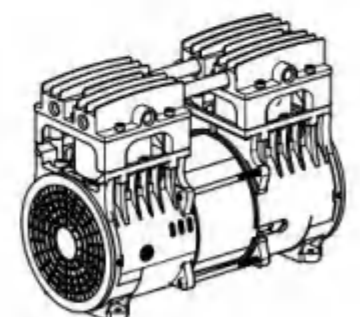
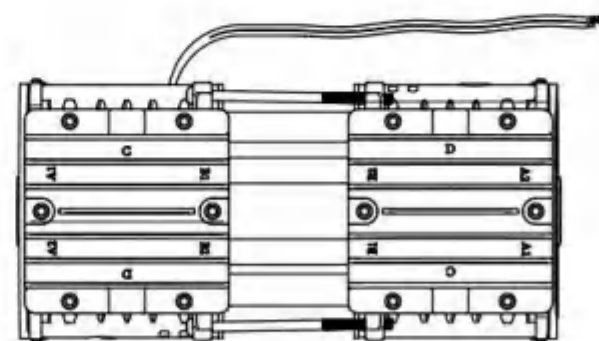
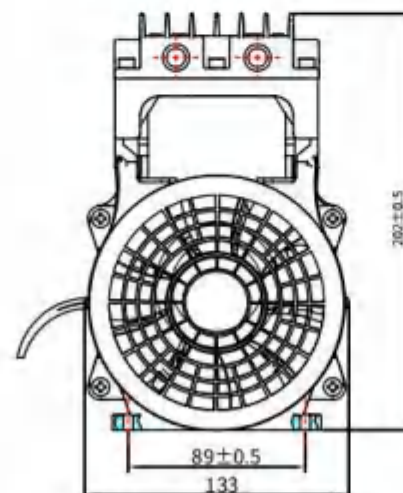
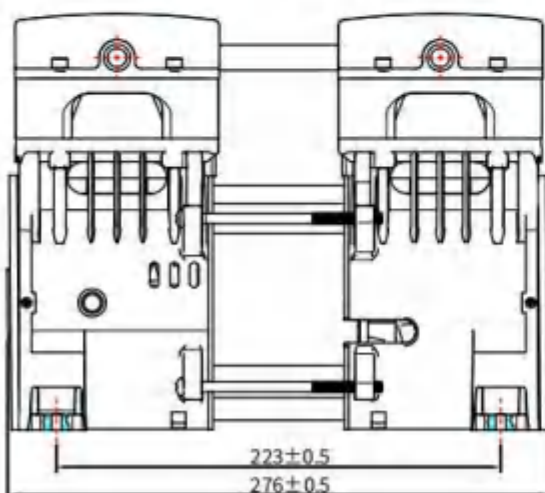


Oxygen concentrator compressor



Technical Specification

Model Number	HC580C1-140/2	HC580D1-140/2	HC580E1-140/2
Head Configuration	Pressure parallel flow	Pressure parallel flow	Pressure parallel flow
Voltage	12V	24V	48V
Noise	≤66dB(A)	≤66dB(A)	≤66dB(A)
Power at rated pressure	≤650W	≤650W	≤650W
Air flow rate at rated pressure	≥140L/min @ 200Kpa	≥140L/min @ 200Kpa	≥140L/min @ 200Kpa
Speed at rated pressure	1700rpm	1700rpm	1700rpm
Dimension	276*133*202 mm	276*133*202 mm	276*133*202 mm
Installation size	223*89mm	223*89mm	223*89mm
Net weight	7.3 kg	7.3 kg	7.3 kg



Accessories



Elbow

Piston ring

Cylinder



Safety valve

Controller

Capacitor



Oxygen system

Filter

Solenoid valve

HCEM · 浙江鸿川动力

HONGCHUAN POWER TECHNOLOGY CO.,LTD



web

alibaba web



p. (0579) 8539 5979 f. (0579) 8539 5960

Add: No. 636 Guangshun Street, Xiaoshun Town, Jindong District,
Jinhua , Zhejiang ,China,321036

www.hcempump.com